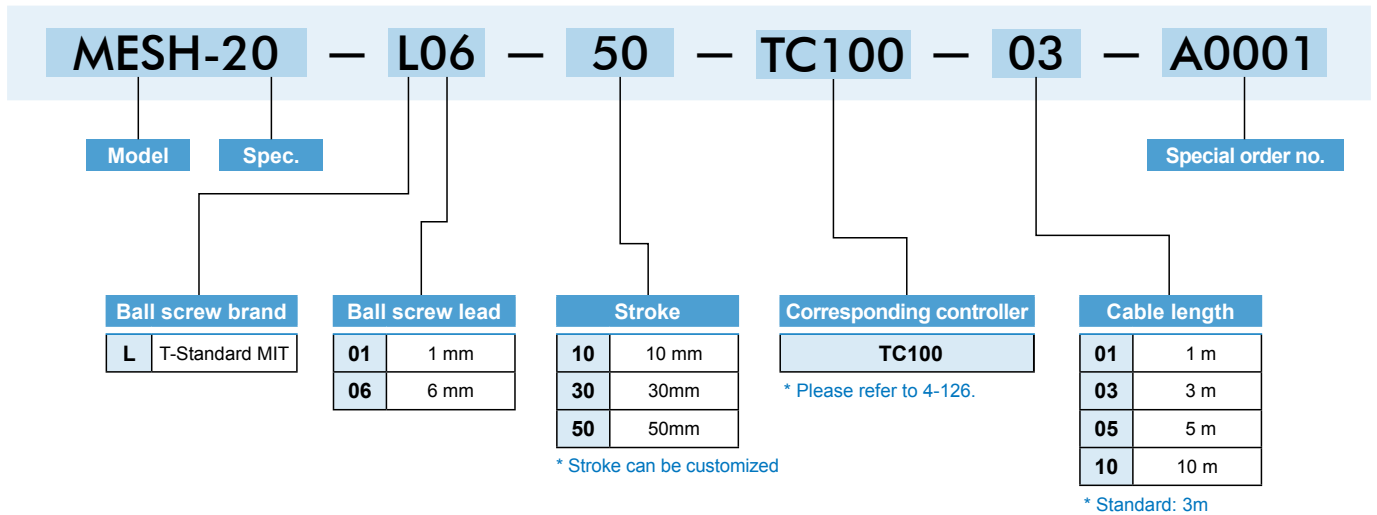


Specification

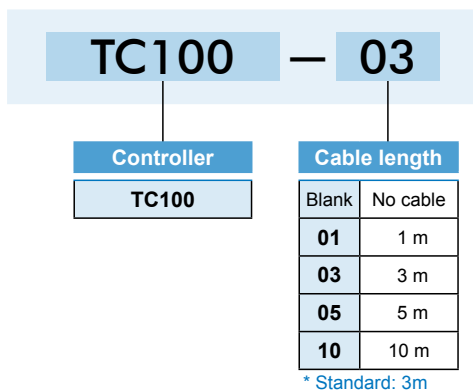
Model	MESH-20	
Repeatability (mm)	±0.02	
Ball screw lead (mm)	1	6
Maximum speed (mm/s)*	50	250
Maximum payload	Horizontal (kg)	6
	Vertical (kg)	2
Rated thrust (N)	466	75
Stroke (mm)	30 / 50	
Motor dimension (mm)	□25	
Ball screw spec (mm)	C10ø6	

* The maximum speed shown here is when software speed setting is 100%.

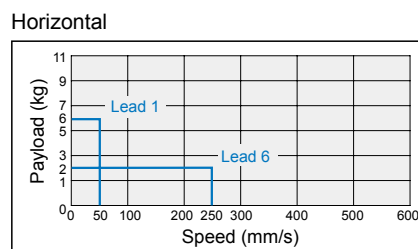
Order example of cylinder



Order example of controller



Speed-payload curve diagram

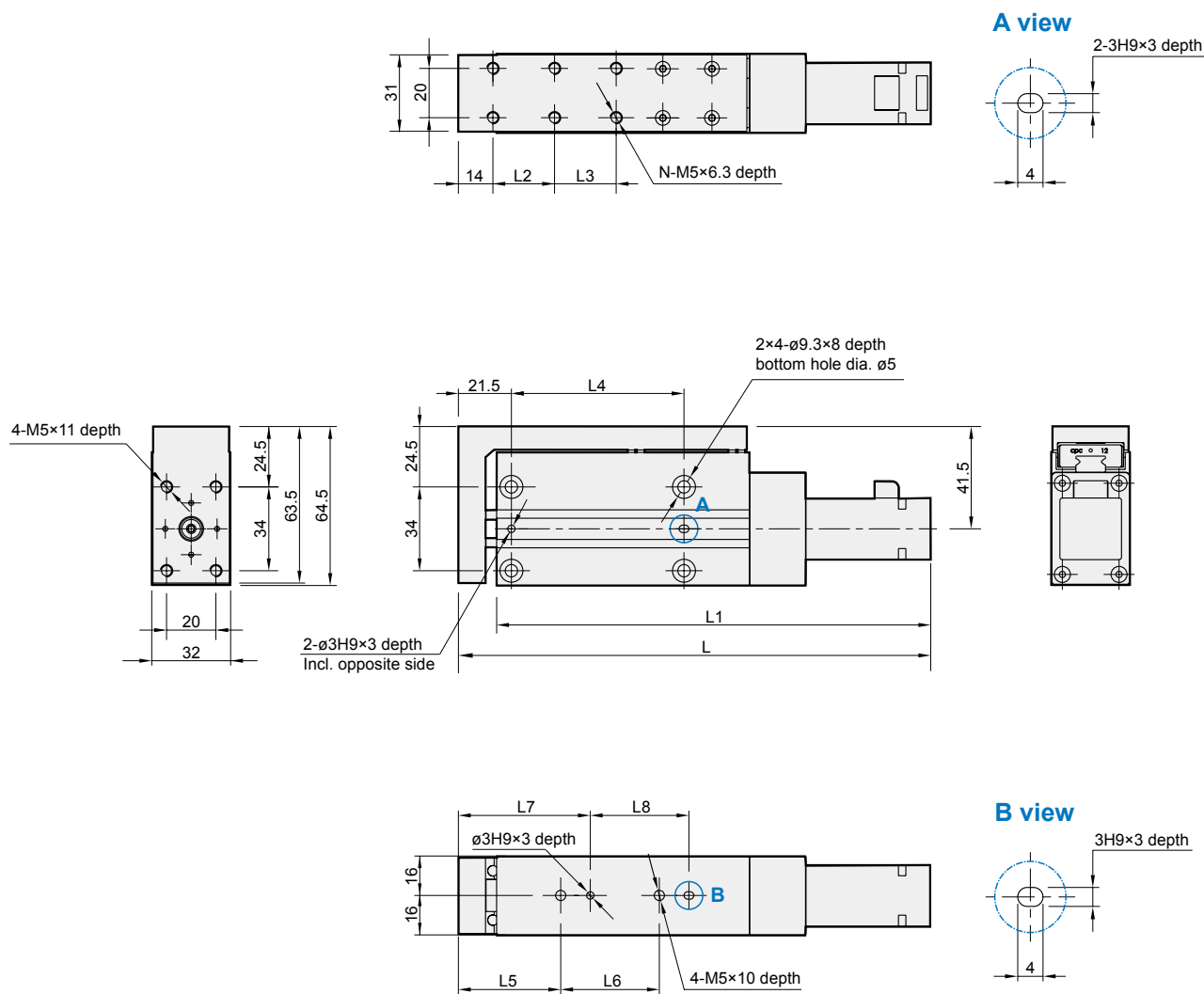


MESH-20 Dimensions

MINIATURE ELECTRIC CYLINDER (WITH MOTOR)



mindman



Unit: mm

Stroke	N	L	L1	L2	L3	L4	L5	L6	L7	L8	Weight(g)
10	4	151.5	136	10	0	20	21.5	30	33.5	30	506
30	4	171.5	156	30	0	40	31.5	30	43.5	30	724
50	6	191.5	176	25	25	70	41.5	40	53.5	40	1035